



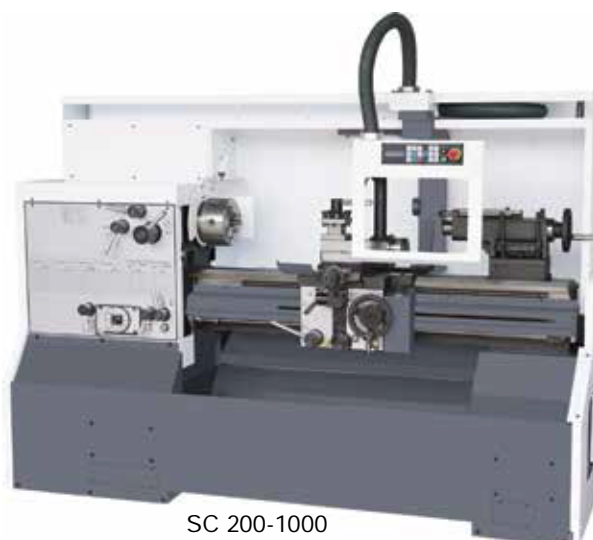
SC 325-2225

Pinacho lathes type SC is a new series of conventional lathes which comes in sizes from 200-325mm in centre height, and from 750 - 3150mm between the centers. Motor sizes are available from 4-7,5kW. All the machines are standard with variable adjustment of spindle and with 3 gears. The combination of constant cutting speed with electronic variable speed, give these machines a better performance and a much finer surface on the workpieces.

All elements and components of these machines are made in order to achieve perfect functionality, maximum performance, and to optimize manufacturing processes, energy consumption and environmental friendliness. Production and quality control is done on Pinachos own factory, where also all steel components are manufactured. This means that all cutting, bending, welding, deburring and grinding and finishing, always are done at highest quality and on the most modern production facilities.

## Standard equipment:

- 3-jaw chuck Ø315mm. (SC 325)
- 3-jaw chuck Ø250mm. (200/250 SC)
- 2 sets of soft jaws
- Ø 400mm 4-jaw jaw chuck (SC 325)
- Ø 300mm 4-jaw jaw chuck
- follow rest
- Steady rest
- Micrometer-stop at the slide
- Quick-change tool holder with 4p. side attachments
- 2-axis digital equipment
- Rapid traverse the X-Z (SC 325)



SC 200-1000

# LÖVÅNGERS JÄRN & MASKIN

Tel: 0913-100 38  
www.lovangersmaskin.se



SC 200-750



SC 325-1625

Technical data		SC 200	SC 250	SC 325
Art. No.		18750 / 18752	18754 / 18756	18758 / 18760 / 18762 / 18764
Distance btw. centers	mm	750 / 1000	1000 / 1500	1150 / 1625 / 2225 / 3150
Spindle bore	mm	42	58	155
Center height	mm	200	250	325
Swing over bed	mm	402	502	652
Swing over gap	mm	560	700	910
Swing over cross slide	mm	245	310	450
Width of bed	mm	250	300	350
Tailstock taper		MT 4	MT 4	MT 5
Camlock		D 2-5	D 2-6	D 2-8
Speed	no	3	3	3
Speed range	RpM	40-345 / 345-1015 / 1015-2800	40-310 / 310-840 / 840-2300	50-120 / 120-290 / 290-800
Metric thread	mm	0,5 - 7,5	0,5 - 7,5	0,5 - 15
Inch thread	TPI	60 - 4	60 - 4	60 - 2
Motor	kw	4	5,5	7,5
Weight	kg	1130 / 1275	1650 / 1800	1850 / 2200 / 2650 / 3275